

Technical Specification

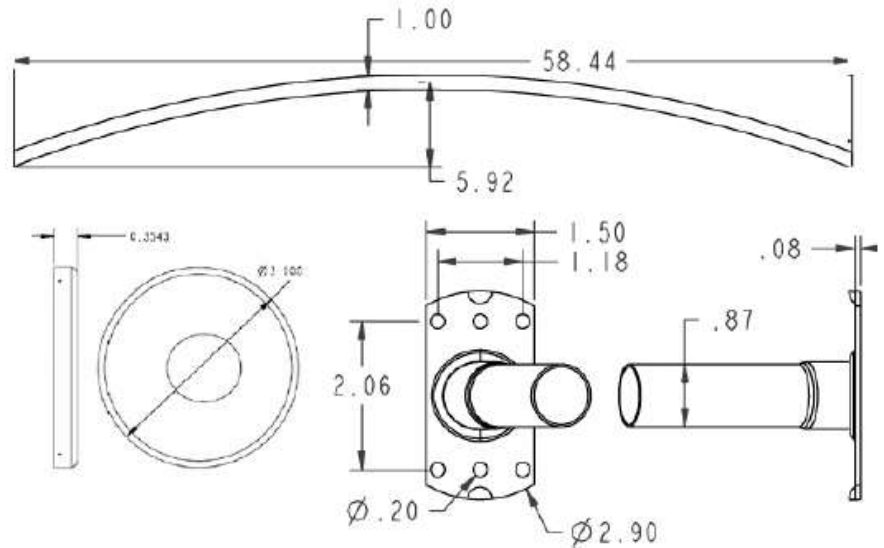
Low-Profile Curved Shower Rod

DN2145

Stock Numbers:

- **DN2145BN – 5' Low-Profile Curved Shower Rod**
Brushed Nickel Finish
1" Diameter Rod
Retail Packaging
- **DN2145CH – 5' Low-Profile Curved Shower Rod**
Chrome Finish
1" Diameter Rod
Retail Packaging

Dimensions:



Materials:

Curved Shower Rods are made of .028 (22 gauge) seamless type 304 stainless steel. **Flanges** are stamped from type 304 stainless steel.

Stock Number: _____ **Shower Rod**
By Creative Specialties